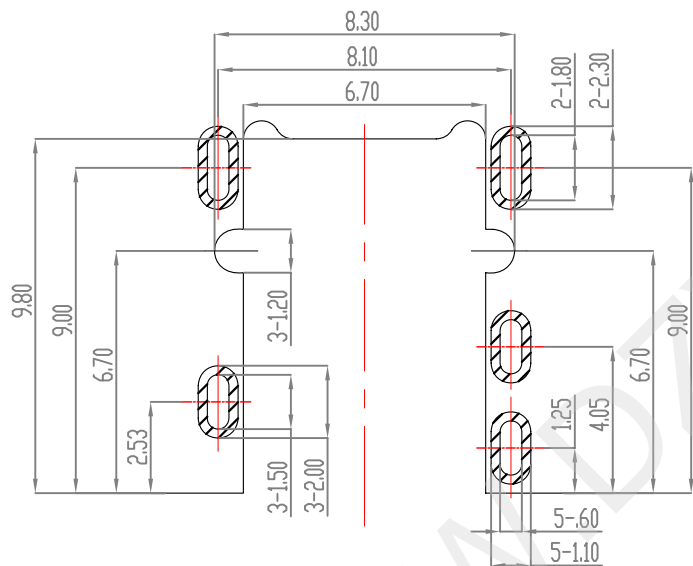
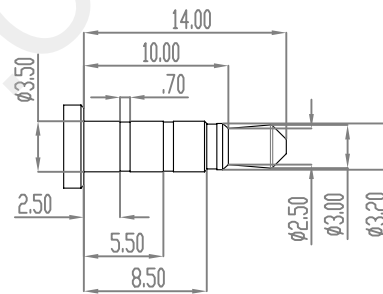


SCHEMATIC



RECOMMENDED PCB LAYOUT(TOP VIEW)  
(GENERAL TOLERANCE  $\pm 0.05$ )



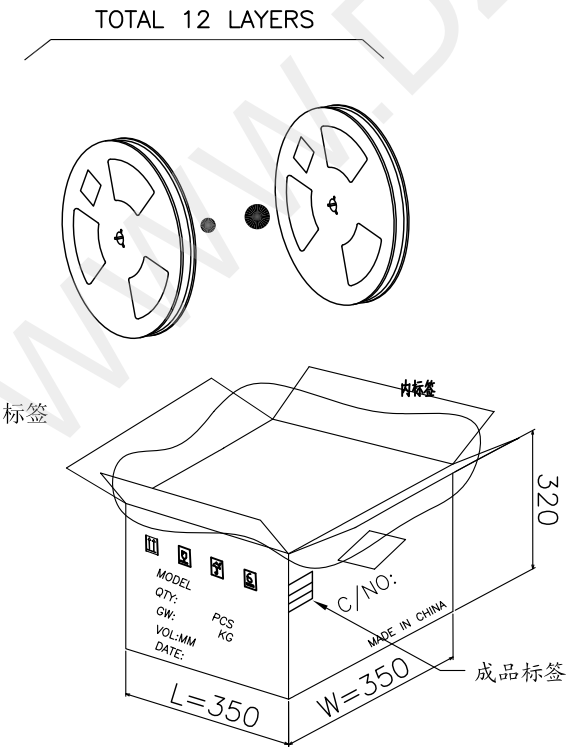
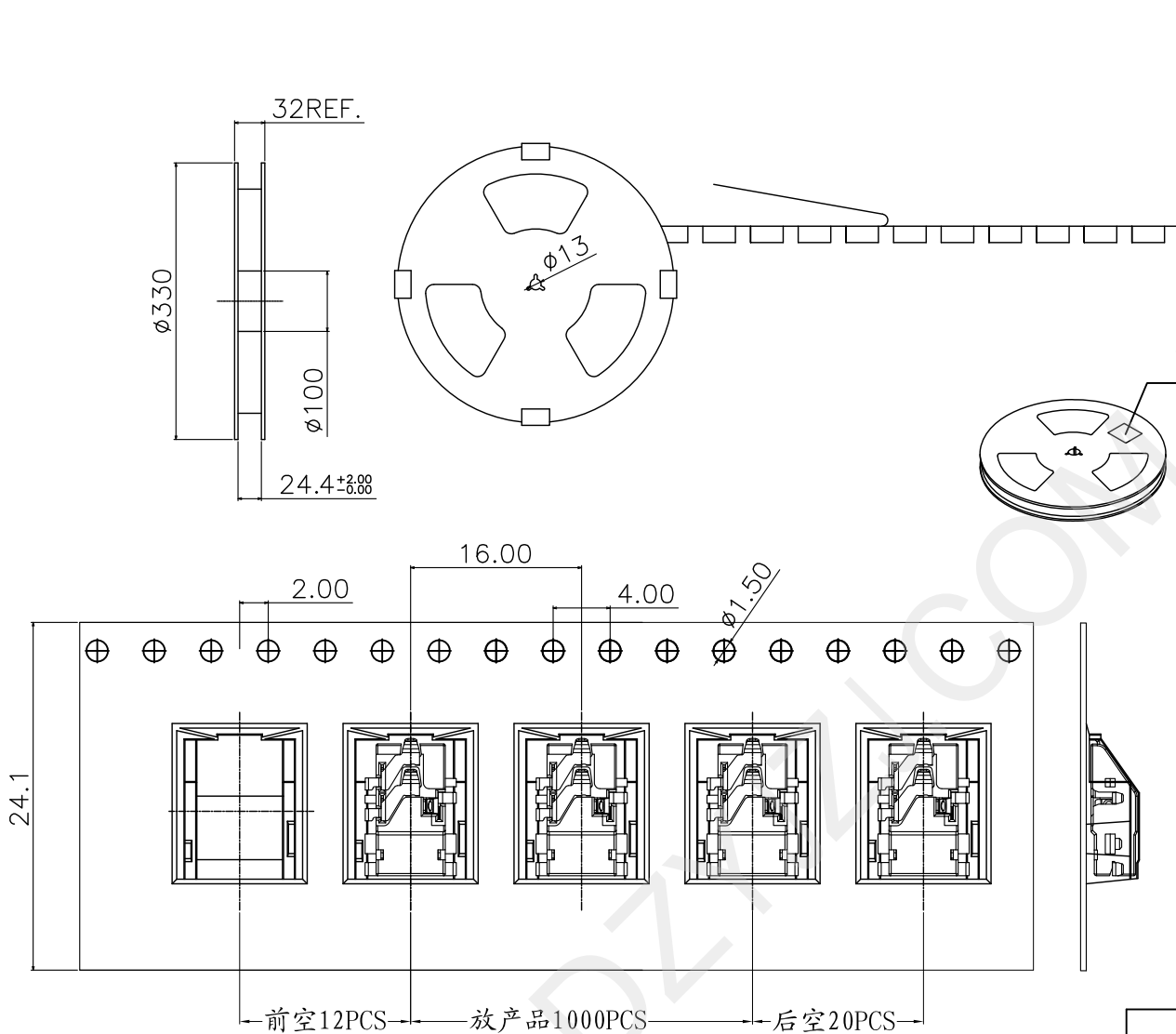
$\phi 3.50$ mm 4 POLE PLUG  
DETAIL DRAWING(2:1)

5	TERMINAL 4	COPPER ALLOY	——	Au PLATED
4	TERMINAL 3	COPPER ALLOY	——	Au PLATED
3	TERMINAL 2	COPPER ALLOY	——	Au PLATED
2	TERMINAL 1	COPPER ALLOY	——	Au PLATED
1	HOUSING	HIGH TEMP	BLACK	UL 94V-0
NO.	DESCRIPTION	MAT'L	COLOR	REMARK





深圳市华宇创精密电子有限公司

<b>TOLERANCE:</b> X.X $\pm 0.30$ X.XX $\pm 0.25$ X.XXX $\pm 0.15$ X' $\pm 2'$ X.X' $\pm 0.5'$	DRAWN BY : 陈一鸣	DATE : 2014-02-23	PART NAME: 3.5耳机座PJ-3015
	CHECKED BY: 马跃	DATE : 2014-02-23	PART NO. : HVC-PJ3015-200
UNIT: mm [inch] SCALE:1:1    SIZE: A4	APPROVED BY: 邱国夷	DATE : 2014-02-23	DRAW NO. : HVC-PJ13091101
			SHEET NO. : 1 OF 2



1. 材质要求:
- 1.1 纸箱的材质要求为B=B; 外形尺寸为350\*350\*320MM;
  - 1.2 卷盘的材质为PVC; 卷盘的外形尺寸为 $\phi 330 \times 30.4$ ;
  - 1.3 卷带的材质为PVC; 卷带的外形尺寸为30200\*24.1\*2.7mm
2. 包装要求:
- 2.1 将卷带放入包装机后, 前空12PCS, 后放产品1000PCS, 后再空20PCS; 上带留300MM长度。
  - 2.2 将包装好的产品从包装机上取下并包装好;
  - 2.3 把累叠好的10盘叠放入纸箱中共计10Kset;
  - 2.4 把包装好的成品打包封箱, 并在纸箱外贴上标签

 <b>深圳市华宇创精密电子有限公司</b>			
<b>TOLERANCE:</b> X.X ±0.30 X.XX ±0.25 X.XXX ±0.15 X' ±2' X.X' ±0.5'	DRAWN BY :	DATE :	PART NAME:
	陈一鸣	2014-02-23	3.5耳机座PJ-3016
 UNIT: mm [inch] SCALE:1:1 SIZE: A4	CHECKED BY:	DATE :	PART NO.
	马跃	2014-02-23	HVC-PJ3015-200
	APPROVED BY:	DATE :	DRAW NO:
	邱国夷	2014-02-23	HVC-PJ13091101
			SHEET NO.
			2 OF 2