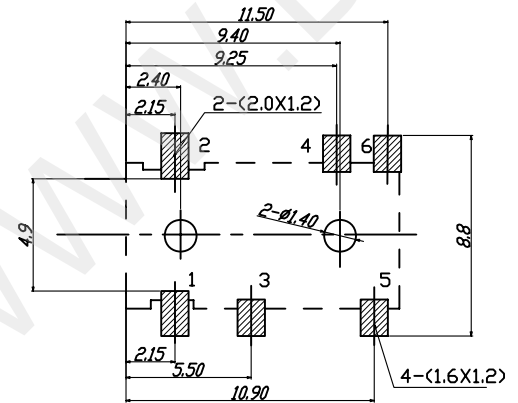
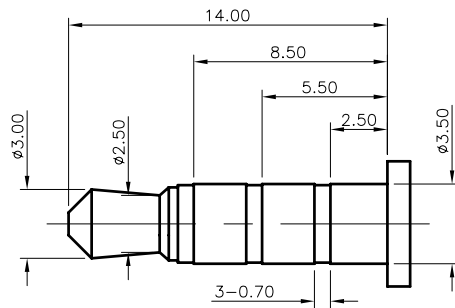
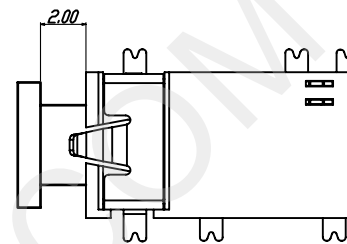
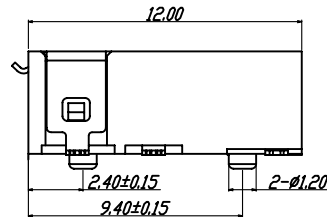
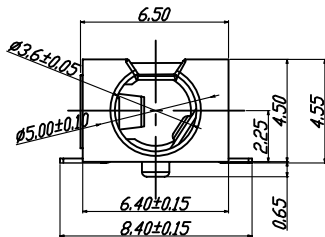


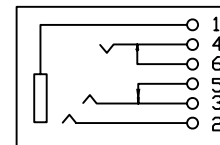
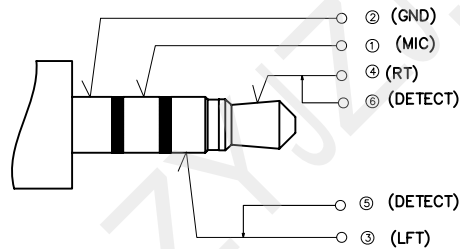
3D VIEW



P.C.B. LAYOUT TOP VIEW



(Ø3.50mm 4 POLE PLUG DETAIL DRAWING)



SCHEMATIC

NOTES:

- CONTACT CURRENT RATING: 1A.
- CONTACT RESISTANCE: 50 mΩ MAX.;
- INSULATION RESISTANCE: 1000Ω MIN.;
- DIELECTRIC WITHSTANDING: 500V AC MIN.;
- DURABILITY: 5,000 CYCLES MIN.;
- CONNECTOR MATING FORCES: 29.4N (3.00KgF) MAX.;
- CONNECTOR UNMATING FORCES: 2.94N(0.30KgF) MIN.;
- PRODUCT MEET THE REQUEST OF THE RoHS, SEE TABLE A:

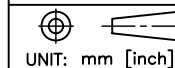
| MATTER | RoHs (PPM) |
|--------|--------------|
| Cd | ≤ 100 |
| Pb | ≤ 1000 |
| Hg | ≤ 1000 |
| Cr6+ | ≤ 1000 |
| PBB | ≤ 1000 |
| PBDE | ≤ 1000 |

| ITEM | PART NAME | Q'TY | MATERIAL | DESCRIPTION | REMARK |
|------|-----------|------|-----------------------|-------------|--------|
| ⑦ | HOUSING | 1 | LCP | | Black |
| ⑥ | CONTACT F | 1 | PHOSPHOR BRONZE 0.20T | Gold Flash | |
| ⑤ | CONTACT E | 1 | PHOSPHOR BRONZE 0.20T | Gold Flash | |
| ④ | CONTACT D | 1 | PHOSPHOR BRONZE 0.20T | Gold Flash | |
| ③ | CONTACT C | 1 | PHOSPHOR BRONZE 0.20T | Gold Flash | |
| ② | CONTACT B | 1 | PHOSPHOR BRONZE 0.20T | Gold Flash | |
| ① | CONTACT A | 1 | PHOSPHOR BRONZE 0.20T | Gold Flash | |



深圳市华宇创精密电子有限公司

TOLERANCE:
X.X ±0.30
X.XX ±0.25
X.XXX ±0.15
X' ±2' X.X' ±0.5'



UNIT: mm [inch]

SCALE:1:1 SIZE: A4

DRAWN BY : 陈一鸣

DATE : 2014-02-23

PART NAME: PJ-342B 无头

CHECKED BY: 马跃

DATE : 2014-02-23

PART NO. HVC-PJ342B-120

APPROVED BY: 邱国夷

DATE : 2014-02-23

MOLD NO. / DRAW NO: HVC-PJ17071218

SHEET NO. 1 OF 1