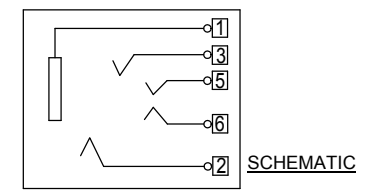
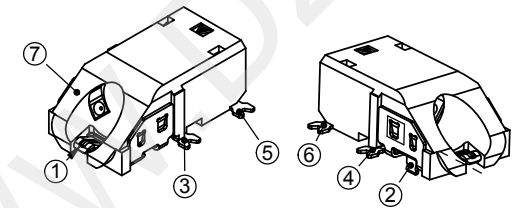
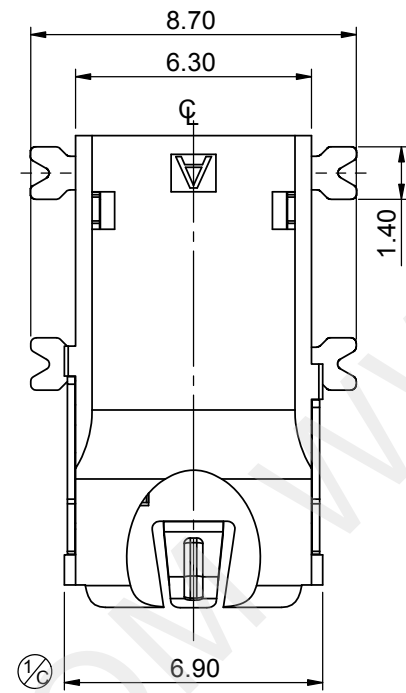
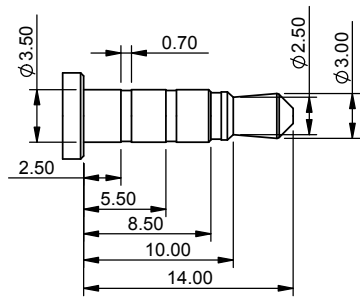
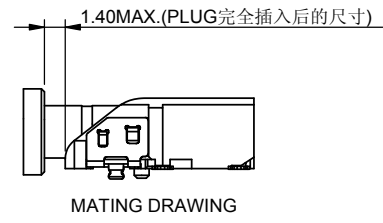


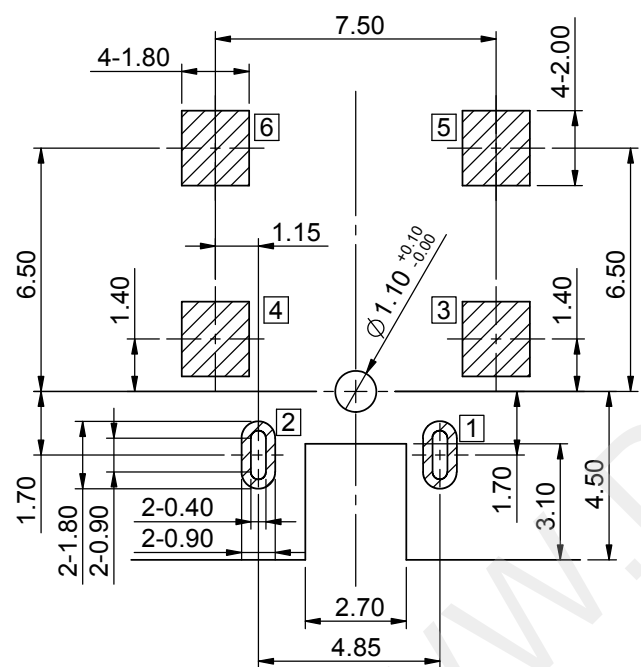
0.10
ALL SMT TAIL



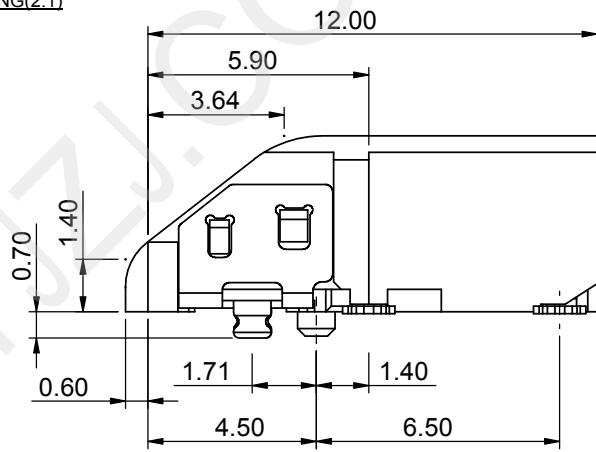
- NOTES:
- CONTACT CURRENT RATING: 1A.
 - CONTACT RESISTANCE: 50 mΩ MAX.;
 - INSULATION RESISTANCE: 1000Ω MIN.;
 - DIELECTRIC WITHSTANDING: 500V AC MIN.;
 - DURABILITY: 5,000 CYCLES MIN.;
 - CONNECTOR MATING FORCES: 29.4N (3.00Kgf) MAX.;
 - CONNECTOR UNMATING FORCES: 2.94N(0.30Kgf) MIN.;
 - PRODUCT MEET THE REQUEST OF THE RoHS,
- SEE TABLE A:

TABLE A:

MATTER	RoHs(ppm)
Cd	≤100
Pb	≤1000
Hg	≤1000
Cr 6+	≤1000
PBB	≤1000
PBDE	≤1000



RECOMMENDED PCB LAYOUT(TOP VIEW)
(GENERAL TOLERANCE ±0.05)



NO.	DESCRIPTION	MAT,L	COLOR	REMARK
7	HOUSING	HIGH TEMP COPPER ALLOY	BLACK	
6	TERMINAL6	COPPER ALLOY		Au PLATING
5	TERMINAL5	COPPER ALLOY		Au PLATING
4	TERMINAL4	COPPER ALLOY		Au PLATING
3	TERMINAL3	COPPER ALLOY		Au PLATING
2	TERMINAL2	COPPER ALLOY		Au PLATING
1	TERMINAL1	COPPER ALLOY		Au PLATING



深圳市华宇创精密电子有限公司

TOLERANCE: X.X ±0.30 X.XX ±0.25 X.XXX ±0.15 X' ±2' X.X' ±0.5'	DRAWN BY : 陈一鸣	DATE : 2014-02-23	PART NAME: PJ-3022
	CHECKED BY: 马跃	DATE : 2014-02-23	PART NO. HYC-PJ3022-485
UNIT: mm [inch] SCALE:1:1 SIZE: A4	APPROVED BY: 邱国夷	DATE : 2014-02-23	DRAW NO: HYC-PJ132563021
			SHEET NO. 1 OF 1