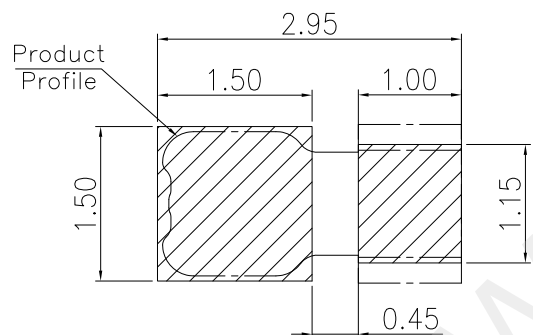



NOTES:

- (1) MATERIAL: STAINLESS STEEL THICKNE=0.15MM
- (2) PRODUCT SPECIFICATIONS:
  - 2-1: CONTACT RESISTANCE: 80mΩ/MAX
  - 2-2: RATED CURRENT: 1.0A/MAX
  - 2-3: VOLTAGE RATING: 1.50V/AC/DC/MAX
  - 2-4: WELDING THRUST: ≥3KG
  - 2-5: OPERATING TEMPERATURE: -40°C~+85°C
- (3) SALT SPRAY: 24 HOURS
- (4) FINISH: 50U"MIN NICKEL UNDER RLATING OVER ALL.
- (5) REQUIREMENTS
  - 5-1: TERMINAL TO EAT FULL TIN, NOT PEELING, WELDING OBVIOUS COLOR AND OTHER ADVERSE
  - 5-2: ROHS, REACH, HF HALOGER ADVERSE OF DOMESTIC AND INTERNATIONAL ENVIRONMNTAL REQUIREMENTS

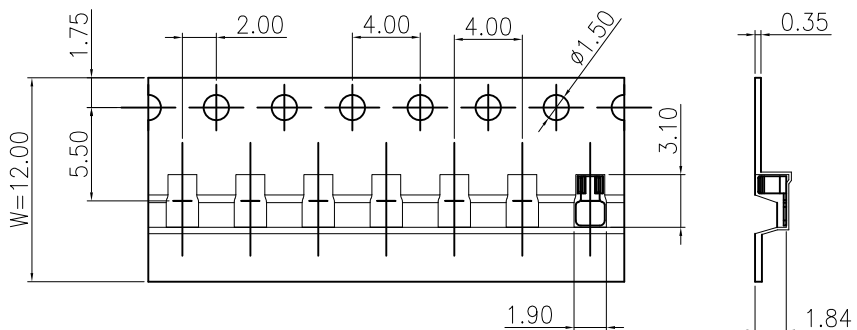


RECOMMENDED PCB LAYOUT  
TOLERANCE±0.05 (焊盘推荐图)

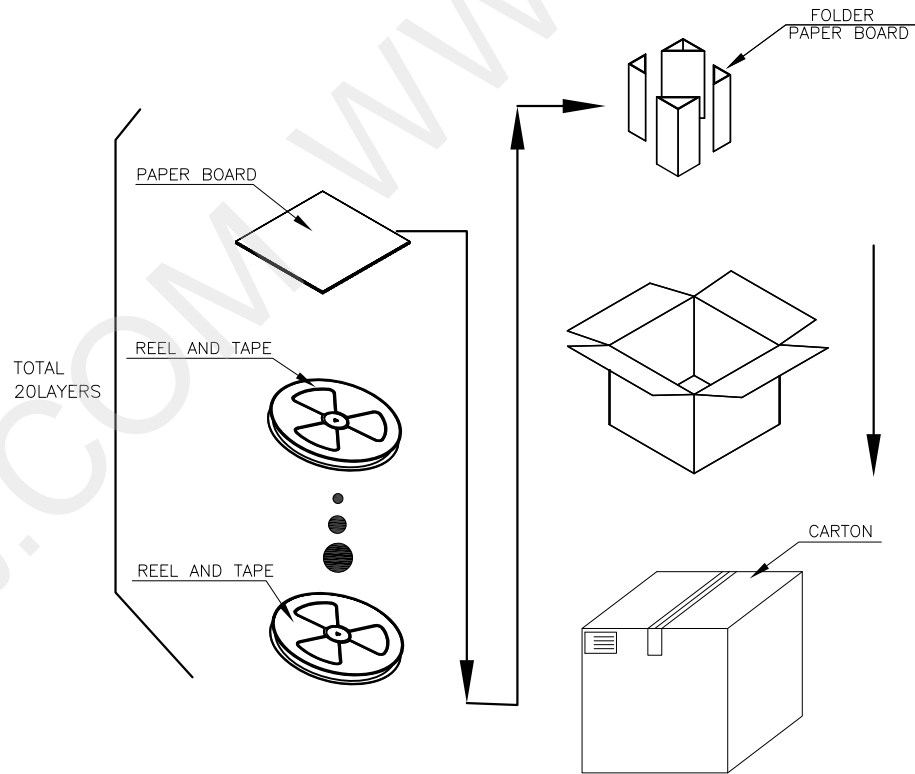
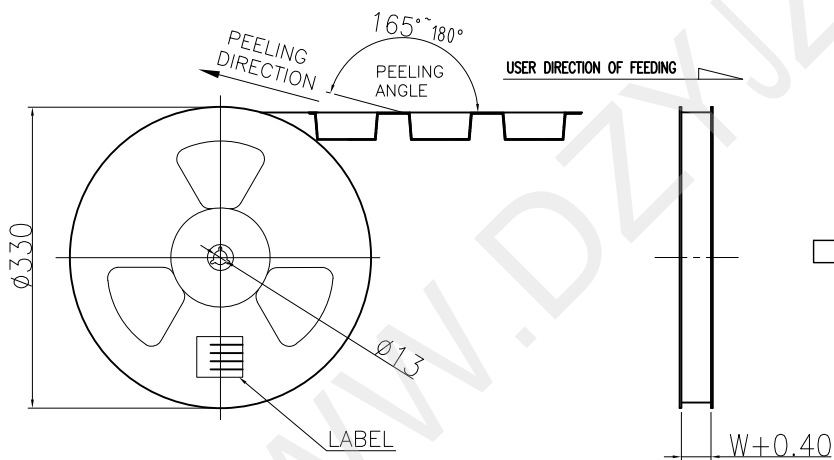
 <b>深圳市华宇创精密电子有限公司</b>			
TOLERANCE: X.X ±0.30 X.XX ±0.25 X.XXX ±0.15 X.' ±2' X.X' ±0.5'	DRAWN BY :	DATE :	PART NAME:
	陈一鸣	2014-02-23	H1. 63mm 线夹
UNIT: mm [inch] SCALE: 1:1 SIZE: A4	CHECKED BY:	DATE :	PART NO.
	马跃	2014-02-23	HYC11-16J-163
	APPROVED BY:	DATE :	DRAW NO:
	邱敏	2014-02-23	HYC-2601191658
			SHEET NO. 1 OF 1




CONN. QTY./REEL	REEL QTY./CARTON	CONN. QTY./CARTON
7,000	20	140,000



← PRODUCT PACKAGING DIRECTION  
 CUSTOMER TO USE DIRECTION →



 深圳市华宇创精密电子有限公司			
TOLERANCE: X.X ±0.30 X.XX ±0.25 X.XXX ±0.15 X' ±2"    X.X" ±0.5"	DRAWN BY : 陈一鸣	DATE : 2014-02-23	PART NAME: 包装图
	CHECKED BY: 马跃	DATE : 2014-02-23	PART NO.:
UNIT: mm [inch] SCALE:1:1    SIZE: A4	APPROVED BY: 邱敏	DATE : 2014-02-23	PART NO.:
			MOLD NO.:
			DRAW NO.:
			SHEET NO. 1 OF 1