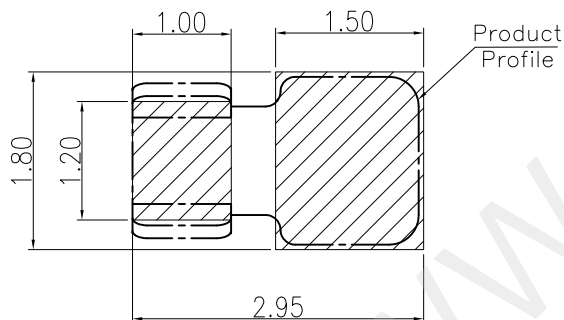
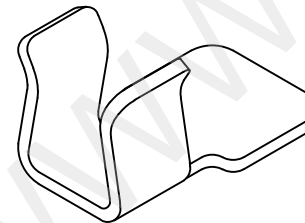


0.08 A

(T=0.15)  
-A-



RECOMMENDED PCB LAYOUT  
TOLERANCE±0.05 (焊盘推荐图)



NOTES:

- (1) MATERIAL: STAINLESS STEEL THICKNE=0.15MM
- (2) PRODUCT SPECIFICATIONS:
  - 2-1: CONTACT RESISTANCE: 80mΩ/MAX
  - 2-2: RATED CURRENT: 1.0A/MAX
  - 2-3: VOLTAGE RATING: 1.50V/AC/DC/MAX
  - 2-4: WELDING THRUST: ≥3KG
  - 2-6: OPERATING TEMPERATURE: -40°C~+85°C
- (3): SALT SPRAY: 24 HOURS
- (4): FINISH: 50μMIN NICKEL UNDER PLATING OVER ALL
- (5): REQUIREMENTS
  - 5-1: TERMINAL TO EAT FULL TIN, NOT PEELING, WELDING OBVIOUS COLOR AND OTHER ADVERSE
  - 5-2: ROHS, REACH, HF HALOGEN ADVERSE OF DOMESTIC AND INTERNATIONAL ENVIRONMENTAL REQUIREMENTS



深圳市华宇创精密电子有限公司

TOLERANCE: X.X ±0.30 X.XX ±0.25 X.XXX ±0.15 X' ±2' X.X' ±0.5'	DRAWN BY : 陈一鸣	DATE : 2014-02-23	PART NAME: H1. 65mm 线夹
	CHECKED BY: 马跃	DATE : 2014-02-23	PART NO. : HVC10-16B-165
UNIT: mm [inch] SCALE: 1:1 SIZE: A4	APPROVED BY: 邱敏	DATE : 2014-02-23	DRAW NO. : HVC-2601191651
			SHEET NO. : 1 OF 1

