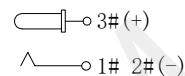


**P. C. B LAYOUT
TOP VIEW**

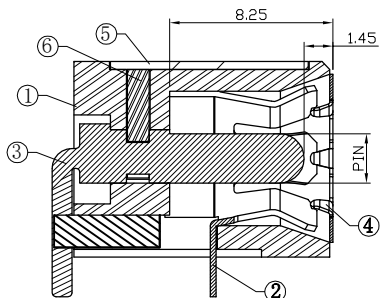
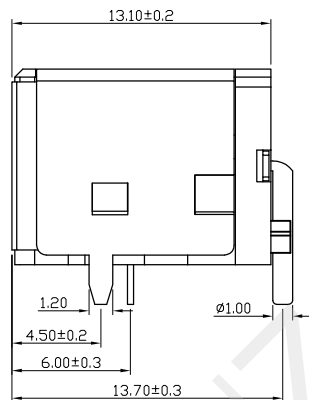
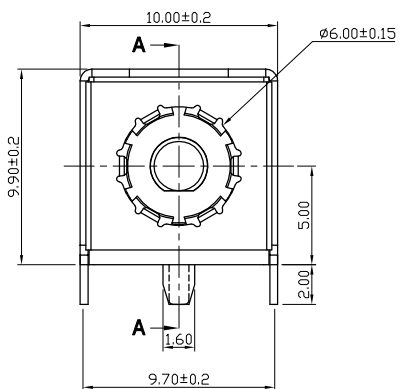
SCHEMATIC



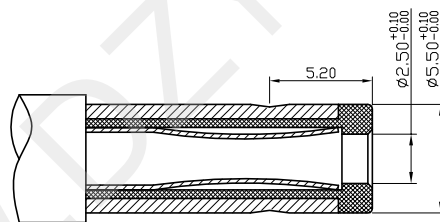
PIN	φ2.0	φ2.5
APPD.		

SPECIFICATION

1. Rating : DC 20V 5A;
2. Contact resistance: $\leq 0.03 \Omega$;
3. Insulation resistance: $\geq 100M \Omega$ (DC250V);
4. Withstand voltage: 500VAC ;
5. Insertion and extraction force: 5-40N;
6. life test: 5,000 cycles.



剖面 A-A



MATING PLUG

NO.	DESCRIPTION	QTY	MATERIAL	PLATING
6	STOPPER	1	HIGH TEMP THERMOPLASTIC UL-94 V0	BLACK
5	SHELL	1	SPCC 0.4t	Ni60U" OVER Cu80U"
4	CONTACT FOOT	1	SUS301 0.15t	N/A
3	PIN	1	BRASS	Ni50U"
2	SPRING PIECE	1	BRONZE 0.3t	Sn60U" OVER Ni50U"
1	HOUSING	1	HIGH TEMP THERMOPLASTIC UL-94 V0	BLACK



深圳市华宇创精密电子有限公司

TOLERANCE: X.X ±0.30 X.XX ±0.25 X.XXX ±0.15 X.' ±2' X.X' ±0.5'	DRAWN BY :	DATE :	PART NAME:
	陈一鸣	2014-02-23	DC-137
 UNIT: mm [inch] SCALE:1:1 SIZE: A4	CHECKED BY:	DATE :	PART NO.
	马跃	2014-02-23	HYC-DC137-XXX
	APPROVED BY:	DATE :	DRAW NO:
	邱国夷	2014-02-23	HYC-DC171213150
			SHEET NO.
			1 OF 1