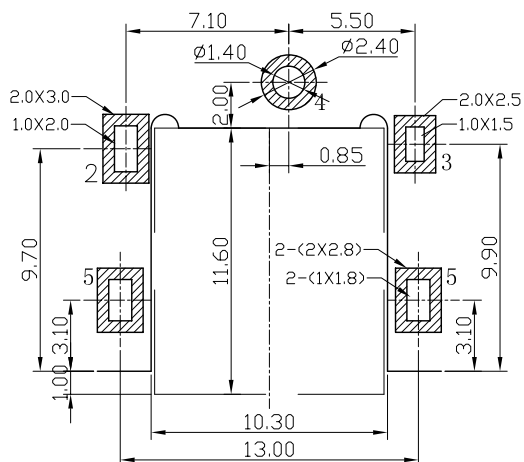
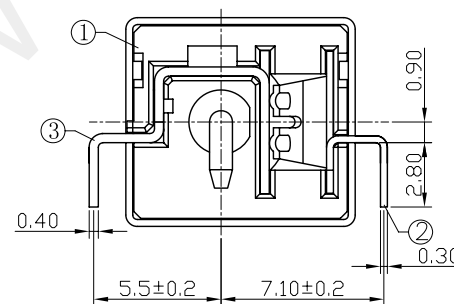
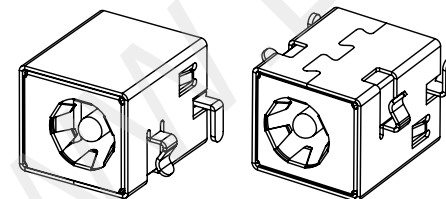
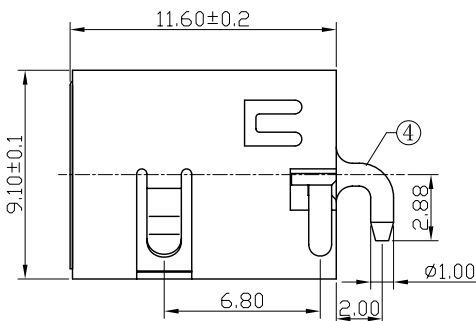
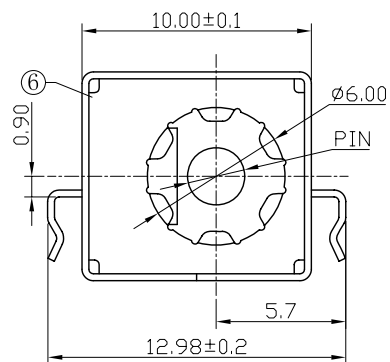
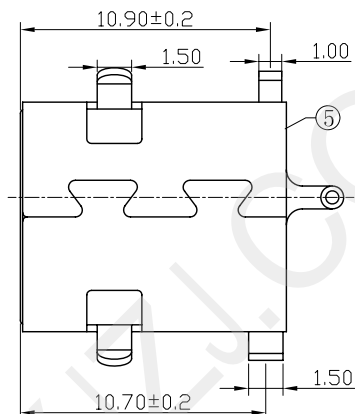


PIN	∅1.65	∅2.0	∅2.5
-----	-------	------	------



P.C.B LAYOUT
TOP VIEW

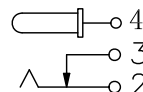


SPECIFICATION

1. Rating : DC 20V 5.5A;
2. Contact resistance: $\leq 0.03 \Omega$;
3. Insulation resistance: $\geq 100M \Omega$ (DC250V);
4. Withstand voltage: 500VAC ;
5. Insertion and extraction force: 3-20N;
6. life test: 5,000 cycles.

NO.	DESCRIPTION	QTY	MATERIAL	PLATING
6	SPRING PIECE	1	SUS301	
5	COAT	1	IRON T=0.3	Ni-Plating
4	PIN	1	BRASS	Ni-Plating
3	CONTACT FOOT	1	BRASS T=0.4	Ag-Plating
2	SPRING PIECE	1	BRONZE T=0.3	Ag-Plating
1	HOUSING	1	PA9T	

SCHEMATIC



深圳市华宇创精密电子有限公司

TOLERANCE: X.X ±0.30 X.XX ±0.25 X.XXX ±0.15 X' ±2' X.X' ±0.5'	DRAWN BY : 陈一鸣	DATE : 2014-02-23	PART NAME: DC 电源座084
	CHECKED BY: 马跃	DATE : 2014-02-23	PART NO. HVC-DC084-XXX
UNIT: mm [inch]	APPROVED BY: 邱国夷	DATE : 2014-02-23	DRAW NO.: HVC-DC14010801
SCALE: 1:1	SIZE: A4		SHEET NO. 1 OF 2