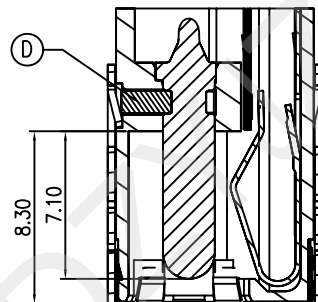
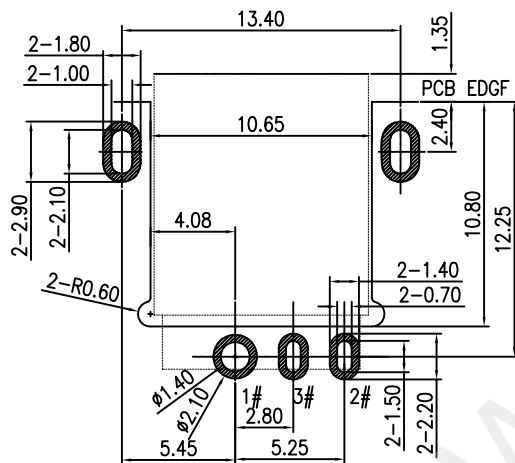
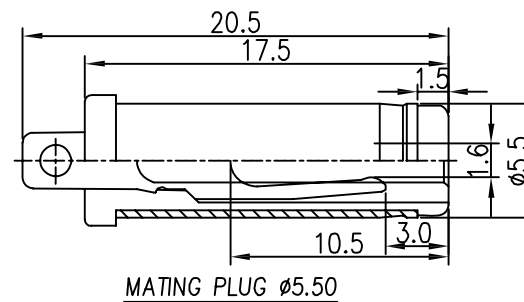
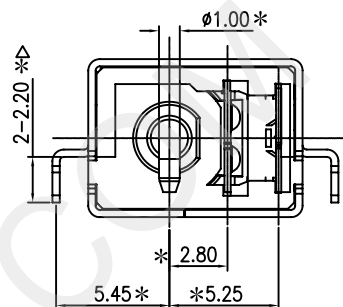
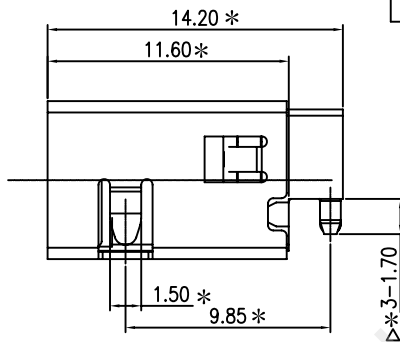
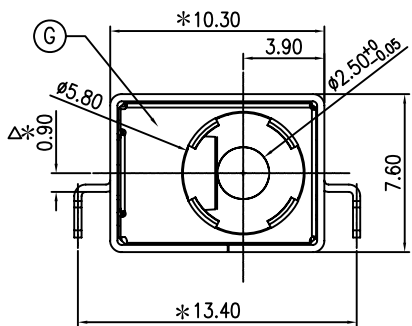
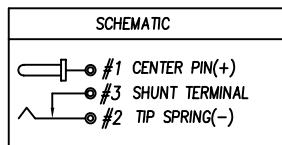


SPECIFICATIONS:

1. ELECTRICAL CHARACTERISTICS:
 - 1-1. RATING:
 - 1-2. CONTACT RESISTANCE: 30mΩ MAX.(INITIAL)
 - 1-3. DIELECTRIC WITHSTANDING VOLTAGE: 500V AC FOR ONE MINUTE
 - 1-4. INSULATION RESISTANCE: 100MΩ MIN. MEASURED BY 500V DC
2. MECHANICAL CHARACTERISTICS:
 - 2-1. INSERTION FORCE : 0.3~3.0 KGF
 - 2-2. WITHDRAWAL FORCE : 0.3~3.0 KGF
3. LIFE TEST: 5,000 CYCLES MIN.
4. FOR REFLOW SOLDERING LEAD-FREE PROCESS.
5. * REPRESENT CRITICAL DIMENSIONS.



NO.	DESCRIPTION	QTY	MATERIAL	PLATING & COLOR
G	GROUNDING	1	STAINLESS 0.1T	N/A
F	SHIELDING	1	BRASS 0.35T	Ni 60u"
E	PIN	1	BRASS	Ni 50u"
D	STOPPER	1	SUS430 0.30T	cleaning
C	SHUNT TERMINAL	1	BRASS STRIP 0.3T	Aq 20u" OVER Ni 20u"
B	TIP SPRING	1	COPPER ALLOY 0.25T	Aq 20u" OVER Ni 20u"
A	BODY	1	HIGH TEMP. THFRMOPLASTIC	BLACK

RECOMMEND P.C.B LAYOUT
TOP VIEW (TOLERANCES:0.05)



深圳市华宇创精密电子有限公司

TOLERANCE: X.X ±0.30 X.XX ±0.25 X.XXX ±0.15 X' ±2' X.X' ±0.5'	DRAWN BY : 陈一鸣	DATE : 2014-02-23	PART NAME: DC-0534
	CHECKED BY: 马跃	DATE : 2014-02-23	PART NO. HYC-DC0534-250
UNIT: mm [inch] SCALE:1:1 SIZE: A4	APPROVED BY: 邱国夷	DATE : 2014-02-23	DRAW NO: HYC-DC17112544
			SHEET NO. 1 OF 1