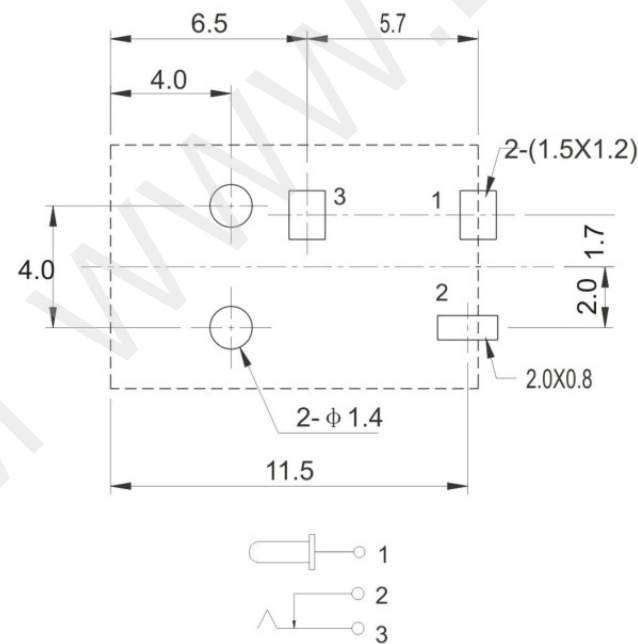


P.C.B LAYOUT TOP VIEW



7	TERMINAL-3	BRASS-0.4T	2	Tin Plating
6	TERMINAL-2	BRASS-0.4T	2	Tin Plating
5	TERMINAL-1	BRASS-0.5T	2	Tin Plating
4	SOCKET	BRASS-0.4T	4	Tin/Gold Plating
3	UP&DOWN COVER	PBT	2	BLACK
2	WASHER	PBT	4	
1	HOUSING	PBT	1	BLACK
NO	PART	MATERIAL	QTY	REMARKS



深圳市华宇创精密电子有限公司

TOLERANCE:

X.X ±0.30

X.XX ±0.25

X.XXX ±0.15

X' ±2' X.X' ±0.5'



UNIT: mm [inch]

SCALE:1:1 SIZE: A4

DRAWN BY :

陈一鸣

DATE :

2014-02-23

PART NAME:

DC-028

CHECKED BY:

马跃

DATE :

2014-02-23

PART NO.

HYC-DC028-165

MOLD NO.

APPROVED BY:

柯南

DATE :

2014-02-23

DRAW NO:

HYC-DC16082463

SHEET NO.

1 OF 1